

# SPIDER 15.70

TRACKED AERIAL WORKING PLATFORMS

EN



**PL** / **TFORM**  
**B A S K E T**

RAISING THE STANDARD

*Made in Italy*



# SERIES SPIDER 15.70

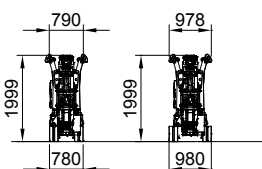
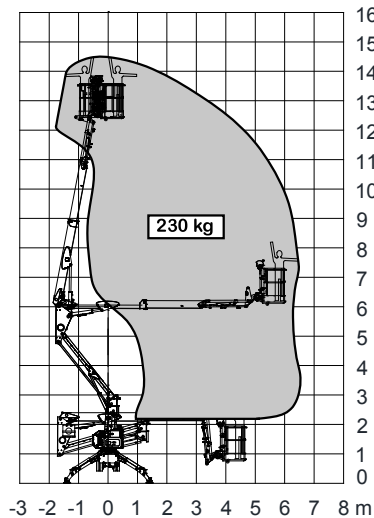
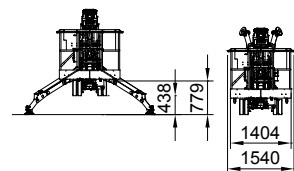
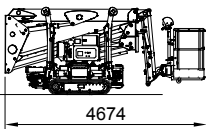
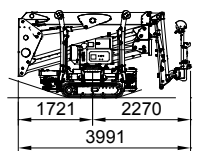
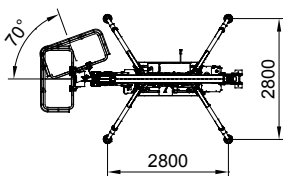
**An optimized outreach for our best seller**

- Side outreach of 9.6 m
- Available with Kubota Diesel engine and automatic accelerator or in the version endothermic engine + Lithium-Ion batteries or completely electric with batteries
- 230 kg of loading capacity in the basket
- Radio remote control with DISPLAY as standard equipment
- Versatility and modularity in the choice of accessories

- Diagnostic display in the ground panel and PBT (Platform Basket Telematics)
- Total protection of the chassis with steel covers.
- Supplied with air/water and 230Vac in the basket as standard equipment.
- Interchangeable hydraulic winch with 250 kg of loading capacity as optional accessory.



campbellbv.com 41821



TECHNICAL SPECIFICATIONS				
		STD	E	ED
Maximum working height	m		14,50	
Floor height	m		12,50	
Maximum side outreach	m		6,50	
Rotation angle of the tower	°		360	
Aluminium basket dimensions	m		1,50 x 0,70	
Basket rotation angle	°		70°	
Maximum capacity of basket	Kg		230	
Length closed (basket disassembled)	m		4,67 3,99	
Minimum width closed	m		0,79	
Minimum height closed	m		1,99	
Overall dimensions Stabilization	m		2,80 x 2,80	
Maximum horizontal inclination	degrees/%		18°	
Maximum side inclination	degrees/%		18°	
Maximum speed	Km/h	2,0	2,0	2,0
<b>WEIGHTS</b>		<b>STD</b>	<b>E</b>	<b>ED</b>
Weight in work conditions*	Kg	1950*	2100*	2100*
Ground pressure stowed machine	KN/m <sup>2</sup>	2,0	2,9	2,9
Ground pressure when on stabilizers	KN/m <sup>2</sup>	2,5	2,7	2,7
Max point load on one stabilizer	KN	11,9	11,9	11,9
<b>POWER</b>		<b>STD</b>	<b>E</b>	<b>ED</b>
HONDA Igx 390 motor	CV/KW	12/3600	-	-
Electric motor 220 Vac	CV/KW	3/2,2	3/2,2	-
Electric motor 24 Vdc	CV/KW	-	5,4/4	5,4/4
Traction battery capacity	Ah		300	200
			24Vdc Lead Acid	24Vdc Lithium Ion

\* Subject to change depending on configuration.